

**PRODUCT SPECIFICATIONS**

Elkay Quartz Luxe® 35-7/8" x 20-15/16" x 9" Single Bowl Farmhouse Sink with Perfect Drain. Proprietary manufacturing process that combines natural quartz with high performance UV-stable acrylic resins results in an impact resistant, nonporous and heat-, scratch-, stain- and fade-resistant surface. Naturally sound deadening and Rear Center drain placement.

|                              |   |
|------------------------------|---|
| <b>Installation Type:</b>    | Farmhouse   |
| <b>Material:</b>             | Quartz  |
| <b>Special Features:</b>     | Perfect Drain   |
| <b>Finish:</b>               | Caviar (CA), Charcoal (CH), Chestnut (CN), Jubilee (JB), Mint Creme (MT), Parchment (PA), Ricotta (RT), Silvermist (SM) |
| <b>Number of Bowls:</b>      | 1   |
| <b>Sink Dimensions:</b>      | 35-7/8" x 20-15/16" x 10-5/16"  |
| <b>Bowl 1 Dimensions:</b>    | 32-1/2" x 16-1" x 8-1"  |
| <b>Drain Size:</b>           | 3-5/8" (92mm)   |
| <b>Drain Location:</b>       | Rear Center   |
| <b>Minimum Cabinet Size:</b> | 36"   |
| <b>Mounting Hardware:</b>    | Part # 54300408 included  |

**Special Note:** Reserve Selection products are sold exclusively, in-store and online, through authorized wholesalers.


**Perfect Drain:** Seamlessly molded collar eliminates the gap between a traditional drain and the sink for a sanitary and gap free installation. Select garbage disposers can be installed on either sink bowl for user convenience. Please see our Garbage Disposer Compatibility Guide. Patent Nos US9057185B2, US9783968B2, US10519637B2, US10626586B2, and US11053671B2.



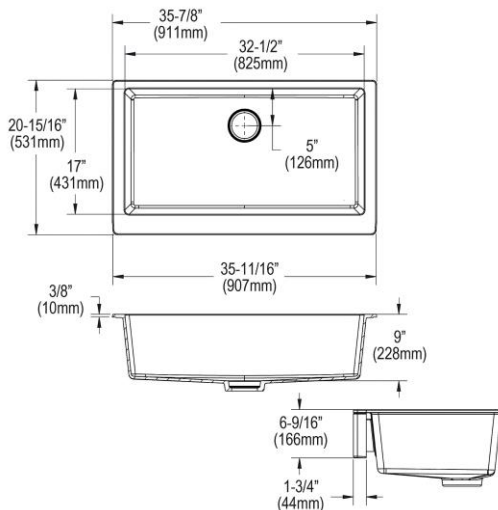
**Included with Product:** One LKPDQ1CR Perfect Drain and strainer.

AMERICAN PRIDE. A LIFETIME TRADITION. Like your family, the Elkay family has values and traditions that endure. For almost a century, Elkay has been a family-owned and operated company, providing thousands of jobs that support our families and communities.

**Product Compliance:** CSA B45.5/IAPMO Z124  
Accessory: ASME A112.18.2/CSA B125.2

 Sinks are listed by IAPMO® as meeting the applicable requirements of the Uniform Plumbing Code®, International Plumbing Code®, and National Plumbing Code of Canada.

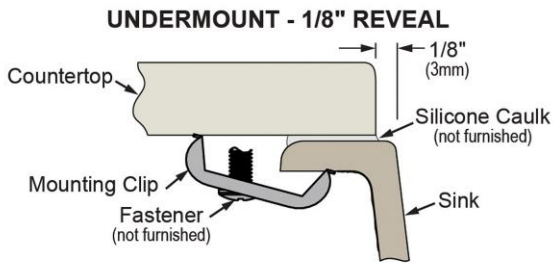
- [Clean and Care Manual \(PDF\)](#)
- [Installation Instructions \(PDF\) - 1000005326](#)
- [Installation Instructions \(PDF\) - 1000003889\\_perfect-drain](#)
- [Installation Instructions \(PDF\) - Garbage Disposer Compatibility Guide](#)
- [Warranty \(PDF\)](#)



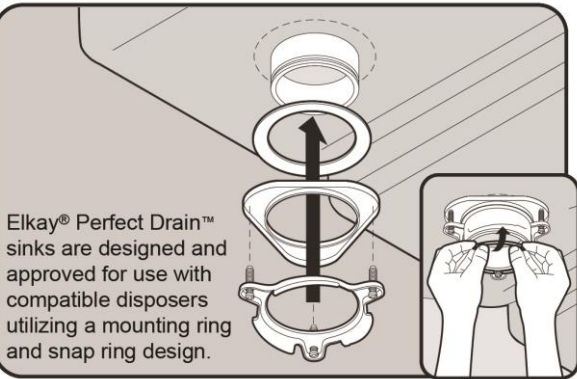
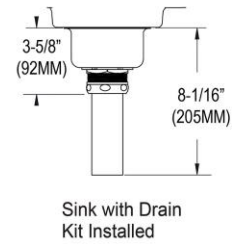
PART: \_\_\_\_\_ QTY: \_\_\_\_\_  
 PROJECT: \_\_\_\_\_  
 CONTACT: \_\_\_\_\_  
 DATE: \_\_\_\_\_  
 NOTES: \_\_\_\_\_  
 APPROVAL: \_\_\_\_\_


*In keeping with our policy of continuing product improvement, Elkay reserves the right to change product specifications without notice. Please visit elkay.com for the most current version of Elkay product specification sheets. This specification describes an Elkay product with design, quality, and functional benefits to the user. When making a comparison of other producers' offerings, be certain these features are not overlooked.*





**Installation Profile:**



Designed to affix to the underside of any solid surface countertop.



| Included Accessories     |   |   |
|--------------------------|---|---|
| <a href="#">LKPDQ1CR</a> | Elkay Perfect Drain Fitting Type 304 Stainless Steel Body and Strainer Chrome<br><a href="#">Spec Sheet (PDF)</a> |  |

| Optional Accessories        |  |   |
|-----------------------------|--|---|
| <a href="#">LKOBG3014SS</a> | Elkay Stainless Steel 14-7/16" x 29-15/16" x 1-1/4" Bottom Grid<br><a href="#">Spec Sheet (PDF)</a>  |  |
| <a href="#">LKPDQ1LS</a>    | Elkay Perfect Drain Fitting Type 304 Stainless Steel Body and Strainer Lustrous Steel<br><a href="#">Spec Sheet (PDF)</a>                      |  |
| <a href="#">LK6000CR</a>    | Elkay Everyday Single Hole Deck Mount Kitchen Faucet with Pull-down Spray Forward Only Lever Handle Chrome<br><a href="#">Spec Sheet (PDF)</a> |  |
| <a href="#">LKEC2031</a>    | Elkay Explore Single Hole Kitchen Faucet with Pull-down Spray and Forward Only Lever Handle<br><a href="#">Spec Sheet (PDF)</a>                |  |

In keeping with our policy of continuing product improvement, Elkay reserves the right to change product specifications without notice. Please visit [elkay.com](http://elkay.com) for the most current version of Elkay product specification sheets. This specification describes an Elkay product with design, quality, and functional benefits to the user. When making a comparison of other producers' offerings, be certain these features are not overlooked.